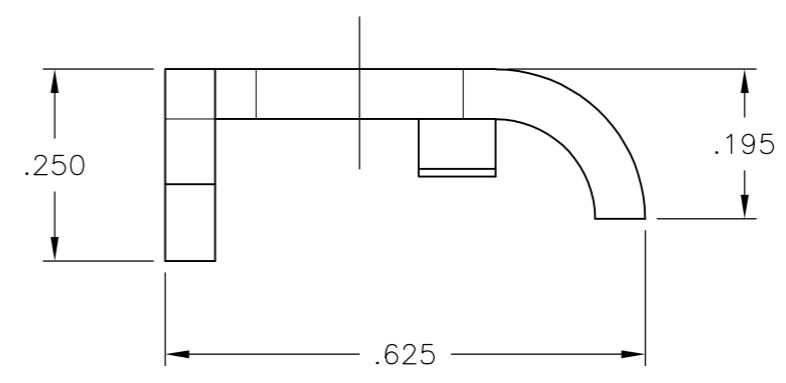
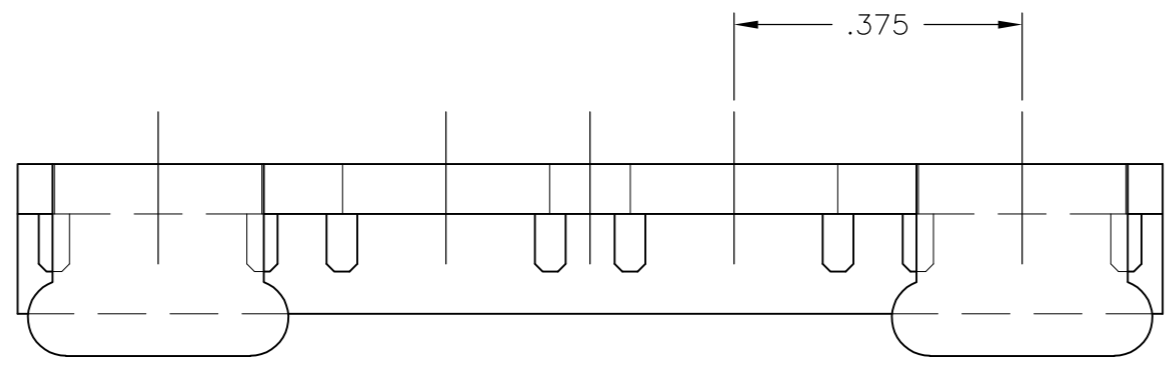
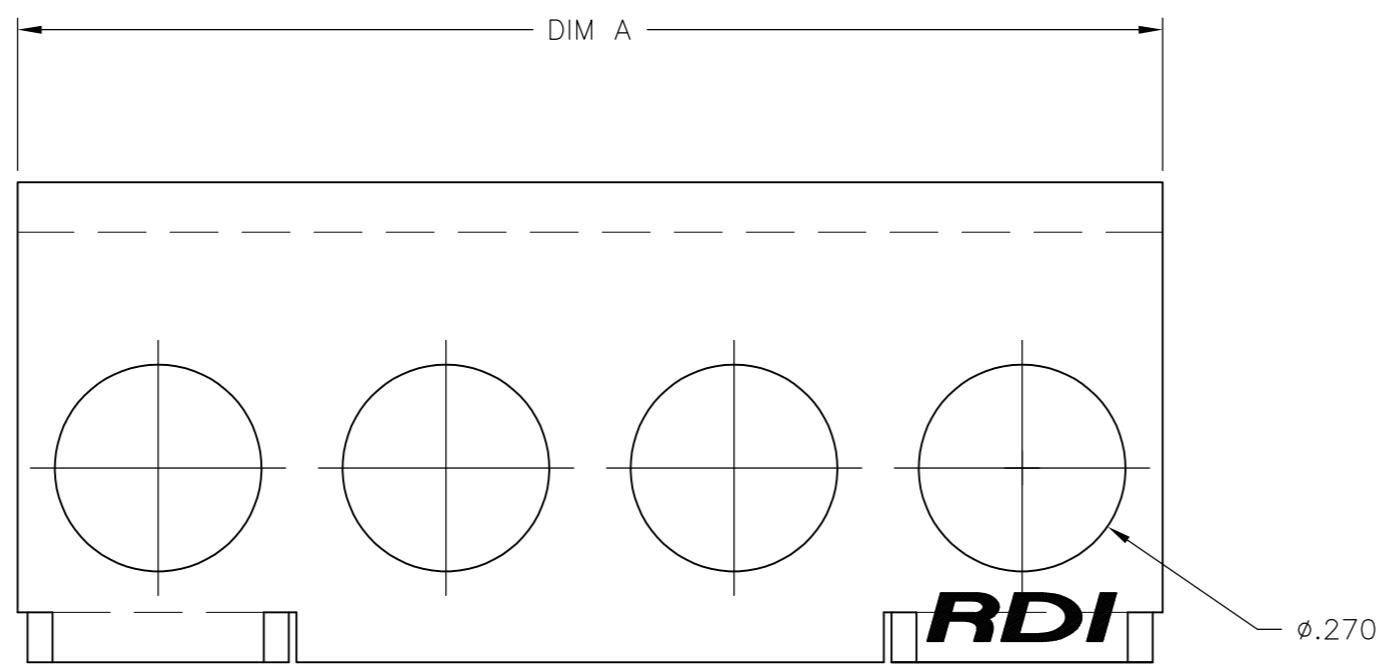


THIS DRAWING IS UNPUBLISHED. RELEASED FOR PUBLICATION
 © COPYRIGHT - By - ALL RIGHTS RESERVED.

LOC		DIST		REVISIONS			
P	LTR	DESCRIPTION		DATE	DWN	APVD	
		D1		REVISED PER ECO-11-004820	11MAR11	RK HMR	

- NOTES:
- 1 MATERIAL: POLYPHENYLENE OXIDE UL94V-0, BLACK.
 - 2 POSITION HAS RDI LOGO OMITTED.
 - 3. FOR USE WITH 6 SERIES BARRIER STRIPS.



5.991	16	TC6-16-PFH	4-1437661-7
5.616	15	TC6-15-PFH	4-1437661-6
5.241	14	TC6-14-PFH	1-1776050-4
4.866	13	TC6-13-PFH	1-1776050-3
4.491	12	TC6-12-PFH	4-1437661-5
4.116	11	TC6-11-PFH	7-1437661-4
3.741	10	TC6-10-PFH	4-1437661-4
3.366	9	TC6-09-PFH	4-1437661-2
2.991	8	TC6-08-PFH	4-1437661-0
2.616	7	TC6-07-PFH	3-1437661-8
2.241	6	TC6-06-PFH	3-1437661-7
1.866	5	TC6-05-PFH	3-1437661-4
1.491	4	TC6-04-PFH	3-1437661-2
1.116	3	TC6-03-PFH	2-1437661-9
.741	2	TC6-02-PFH	2-1437661-7
DIM A	NO. OF POS.	CATALOG NUMBER	PART NUMBER

THIS DRAWING IS A CONTROLLED DOCUMENT.		DWN	S SCHLEGEL	23MAY03	TE TE Connectivity
DIMENSIONS: INCHES		CHK	S YODER	5/23/03	
TOLERANCES UNLESS OTHERWISE SPECIFIED:		APVD	S YODER	5/23/03	
0 PLC ± - 1 PLC ± - 2 PLC ± - 3 PLC ± .010 4 PLC ± - ANGLES ± - FINISH -		PRODUCT SPEC	NAME		
MATERIAL		APPLICATION SPEC		TC6-XX-PFH TERMINAL BLOCK COVER	
- 1		WEIGHT	-		RESTRICTED TO
CUSTOMER DRAWING		SCALE	4:1		SHEET
		SIZE		A2	
		CAGE CODE		00779	
		DRAWING NO		C-2-1437661-7	
		REV		D1	